

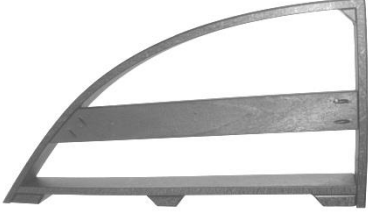









ST. TROPEZ
BY: C.R. PLASTIC PRODUCTS INC.



L38 St. Tropez Chaise Lounge

C.R. Plastic Products Inc.
1 – 533 Romeo Street South
Stratford Ontario N5A 4V3
Toll Free: 800-490-1283
Fax: 519-271-8544
www.crpproducts.com

<p>A. Left Arm Qty: 1</p> 	<p>B. Right Arm Qty: 1</p> 	<p>C. Rear Stringer Qty: 1</p> 
<p>D. Front Stringer Qty: 1</p> 	<p>E. Back Qty: 1</p> 	<p>F. Back Support Qty: 1</p> 
<p>G. Seat Qty: 1</p> 		<p>H. Front Legs Qty: 1</p> 

PARTS LIST:

- A Left Leg**
- B Right Leg**
- C Rear Stringer**
- D Front Stringer**
- E Back**
- F Back Support**
- G Seat**
- H Front Legs**

HARDWARE LIST:

- 16 Screws 1-1/2"
- 8 Bolts
- 8 Nylock Nuts

• **Note:**

Read these instructions carefully before assembling.
 Tools required: # 2 Phillips or #2 Robertson bit a power drill and two 7/16" wrenches.
 Find a clean, smooth area on which to work, such as a carpet, in order to avoid scratching the plastic surfaces.
 Two people might be required for assembly.
Caution! Do not over tighten screws.

Step 1: Set the Left Arm (A) on its side as shown and attach Rear Stringer (C) with two 2" and three 1-1/2" screws. (Detail X)

Step 2: Stand assy. on end and secure Right Arm (B) with two 2" and three 1-1/2" screws.

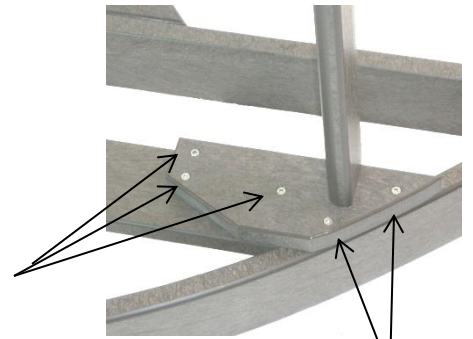
Step 3: Set assy. down flat and attach Front Stringer (D) with six 1-1/2" screws (detail Y)

Step 1



Required	Qty
Left Arm Assy. (A)	1
Rear Stringer (C)	1
Right Arm (B)	1
Front Stringer	1
1-1/2" screws	12
2" Screws	4

X



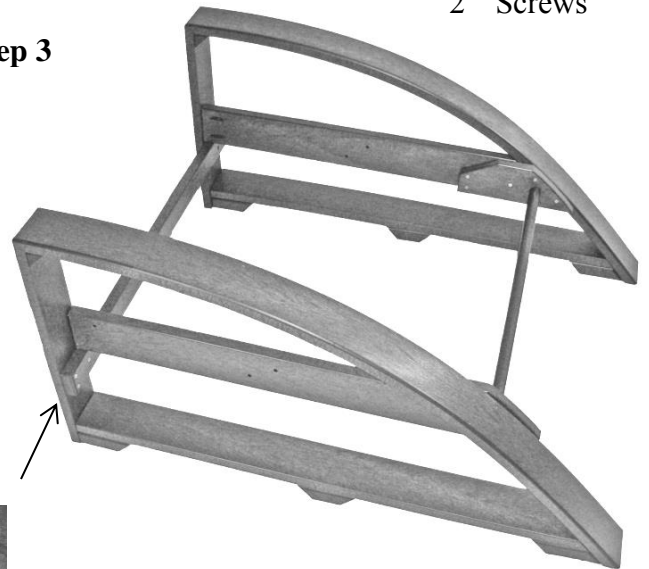
1-1/2" Screws

2" Screws

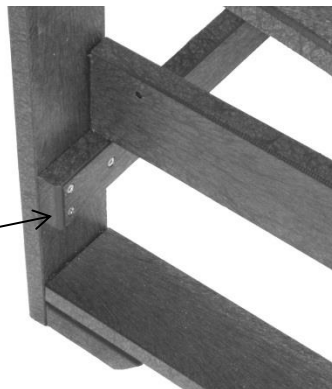
Step 2



Step 3



Y



1-1/2" Screws

Step 4: Attach Back Support (F) to Back (E) using two 2" bolts and nylock nuts.

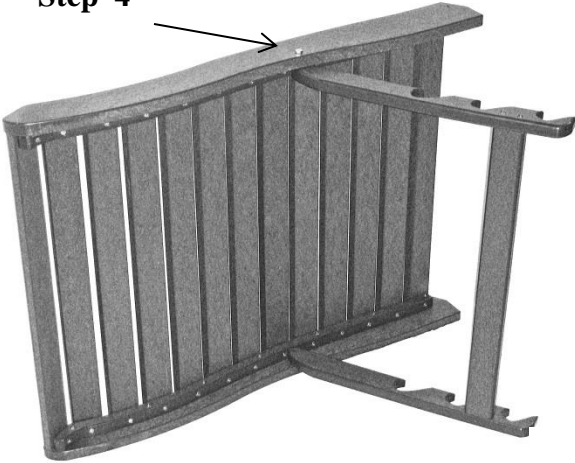
Step 5: Attach back to leg assy. using two 2" bolts and nylock nuts.

Step 6: Attach Front Leg assy. (H) to Seat (G) using six 1-1/2" screws.

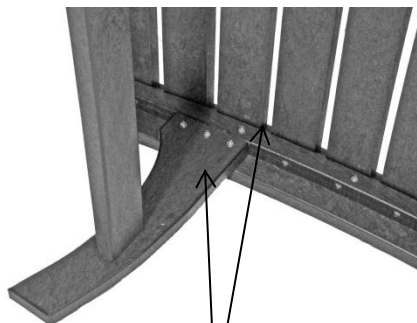
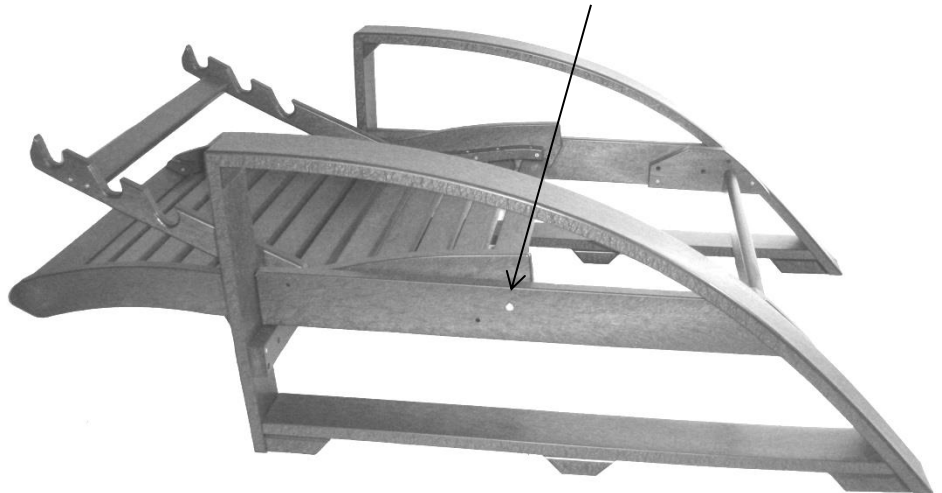
Step 7: Attach Seat to completed leg and back assy using four 2" bolts and nylock nuts

Required	Qty
Back Assy. (E)	1
Back Support (F)	1
Seat (G)	1
Front Legs (H)	2
1-1/2" Screws	6
2" Bolt	8
Nylock Nut	8

Step 4



Step 5



Step 6

Use 1-1/2" Screws and align with back of 3rd slat.

Step 7

